

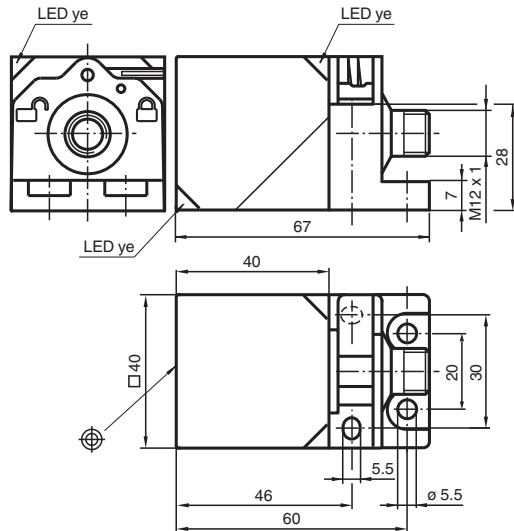


Inductive sensor NCN40-L2-N0-V1

- Sensor head bidirectional and rotatable
- 40 mm non-flush
- Quick mounting bracket
- Usable up to SIL 2 acc. to IEC 61508



Dimensions



Technical Data

General specifications

Switching function		Normally closed (NC)
Output type		NAMUR
Rated operating distance	s_n	40 mm
Installation		non-flush
Assured operating distance	s_a	0 ... 32.4 mm
Actual operating distance	s_r	36 ... 44 mm
Reduction factor r_{AI}		0.31
Reduction factor r_{Cu}		0.3
Reduction factor r_{304}		0.74

Nominal ratings

Nominal voltage	U_o	8.2 V (R_i approx. 1 k Ω)
Switching frequency	f	0 ... 150 Hz
Hysteresis	H	typ. 5 %
Reverse polarity protection		reverse polarity protected

Release date: 2023-05-26 Date of issue: 2023-05-26 Filename: 70133101_eng.pdf

Refer to "General Notes Relating to Pepperl+Fuchs Product Information".

Pepperl+Fuchs Group
www.pepperl-fuchs.com

USA: +1 330 486 0001
fa-info@us.pepperl-fuchs.com

Germany: +49 621 776 1111
fa-info@de.pepperl-fuchs.com

Singapore: +65 6779 9091
fa-info@sg.pepperl-fuchs.com

PEPPERL+FUCHS

Technical Data

Short-circuit protection	yes
Current consumption	
Measuring plate not detected	≥ 2.2 mA
Measuring plate detected	≤ 1 mA
Switching state indicator	LED, yellow
Functional safety related parameters	
Safety Integrity Level (SIL)	SIL 2
MTTF _d	1670 a
Mission Time (T _M)	20 a
Diagnostic Coverage (DC)	0 %
Compliance with standards and directives	
Standard conformity	
Standards	EN 60947-5-2:2007 EN 60947-5-2/A1:2012 IEC 60947-5-2:2007 IEC 60947-5-2 AMD 1:2012
Approvals and certificates	
IECEX approval	
Equipment protection level Ga	IECEX PTB 11.0021X
Equipment protection level Gb	IECEX PTB 11.0021X
Equipment protection level Da	IECEX PTB 11.0021X
Equipment protection level Dc (tc)	IECEX TUR 21.0020X
Equipment protection level Mb	IECEX PTB 11.0021X
ATEX approval	
Equipment protection level Ga	PTB 00 ATEX 2032 X
Equipment protection level Gb	PTB 00 ATEX 2032 X
Equipment protection level Da	PTB 00 ATEX 2032 X
Equipment protection level Dc (tc)	TÜV 20 ATEX 8526 X
Protection class	II
Rated insulation voltage	U _i 253 V
Rated impulse withstand voltage	U _{imp} 4000 V
UL approval	
Ordinary Location	E87056
Hazardous Location	E501628
Control drawing	116-0451
CCC approval	
Hazardous Location	2020322315002302
NEPSI approval	
NEPSI certificate	GYJ16.1394X
CML approval	on request
ANZEx	19.3001X
Marine approval	DNVGL TAA00001A5
Ambient conditions	
Ambient temperature	-25 ... 100 °C (-13 ... 212 °F)
Storage temperature	-40 ... 100 °C (-40 ... 212 °F)
Mechanical specifications	
Connection type	Connector plug
Housing material	PA
Sensing face	PA
Degree of protection	IP69K
Connector	
Threading	M12 x 1
Number of pins	4
Mass	130 g

Release date: 2023-05-26 Date of issue: 2023-05-26 Filename: 70133101_eng.pdf

Refer to "General Notes Relating to Pepperl+Fuchs Product Information".

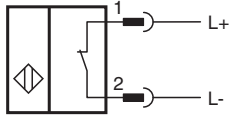
Pepperl+Fuchs Group
www.pepperl-fuchs.comUSA: +1 330 486 0001
fa-info@us.pepperl-fuchs.comGermany: +49 621 776 1111
fa-info@de.pepperl-fuchs.comSingapore: +65 6779 9091
fa-info@sg.pepperl-fuchs.com

PEPPERL+FUCHS

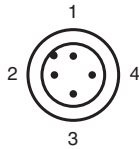
Technical Data

General information	
Use in the hazardous area	see instruction manuals

Connection



Connection Assignment

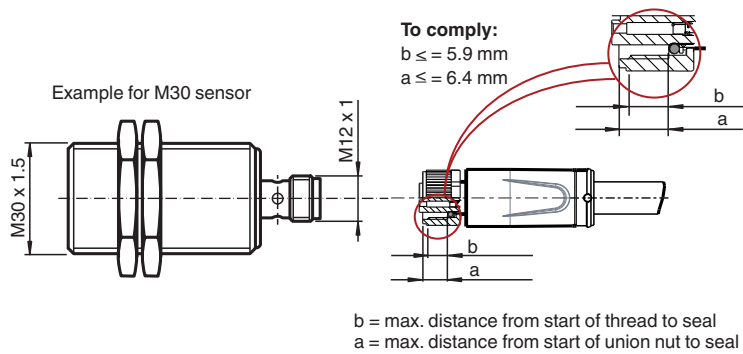


Wire colors in accordance with EN 60947-5-6

1	BN	(brown)
2	BU	(blue)

Installation

Requirement for male cordset to achieve IP degree of protection






Accessories

	V1-G-N-2M-PUR	Female cordset single-ended M12 straight A-coded, 2-pin, PUR cable blue, NAMUR
--	----------------------	--

Release date: 2023-05-26 Date of issue: 2023-05-26 Filename: 70133101_eng.pdf

Accessories

	V1-W-N-2M-PUR	Female cordset single-ended M12 angled A-coded, 2-pin, PUR cable blue, NAMUR
	MHW 01	Modular mounting bracket
	KCD2-E2L	Sensor output interface terminal with lead breakage monitoring